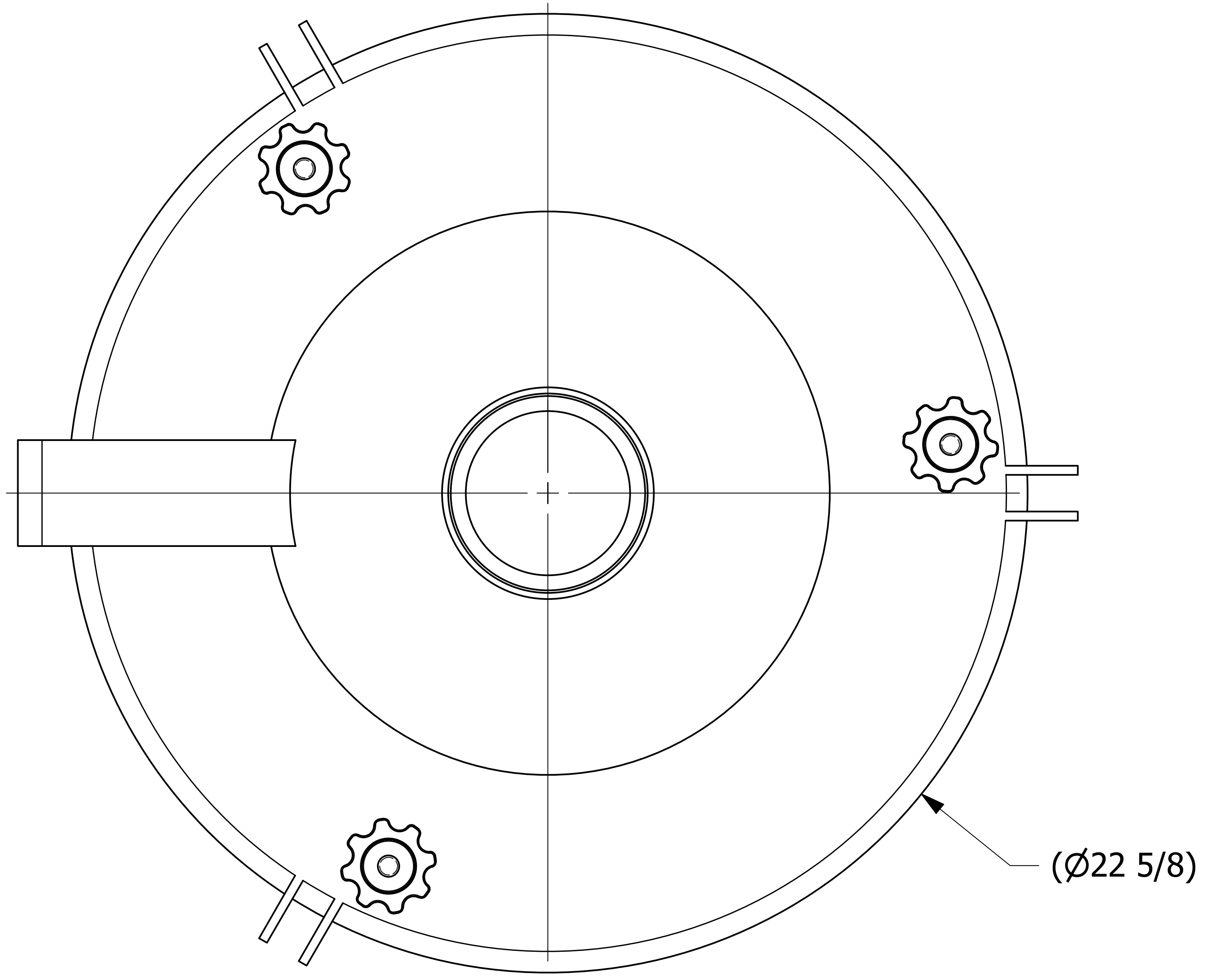
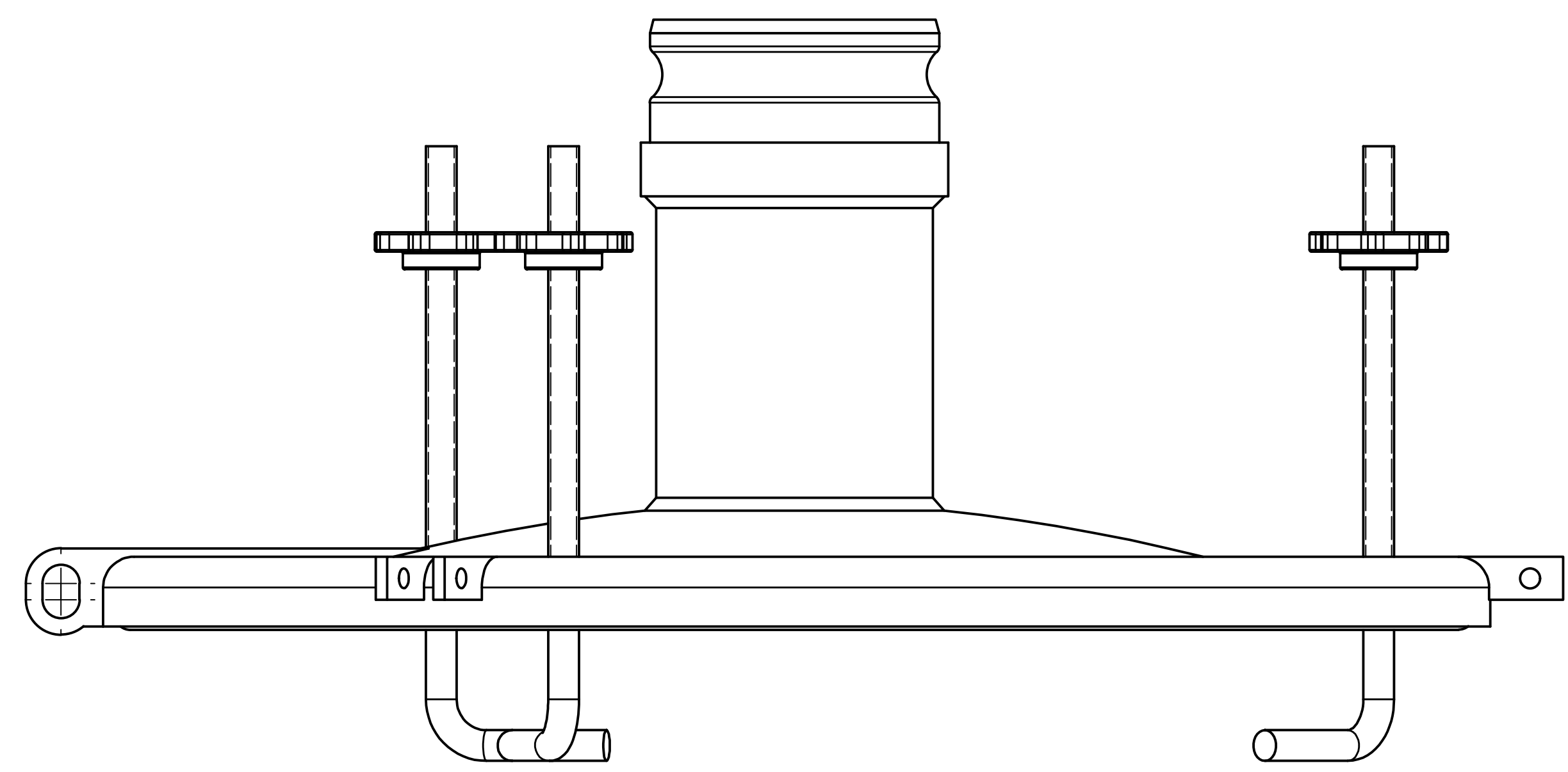
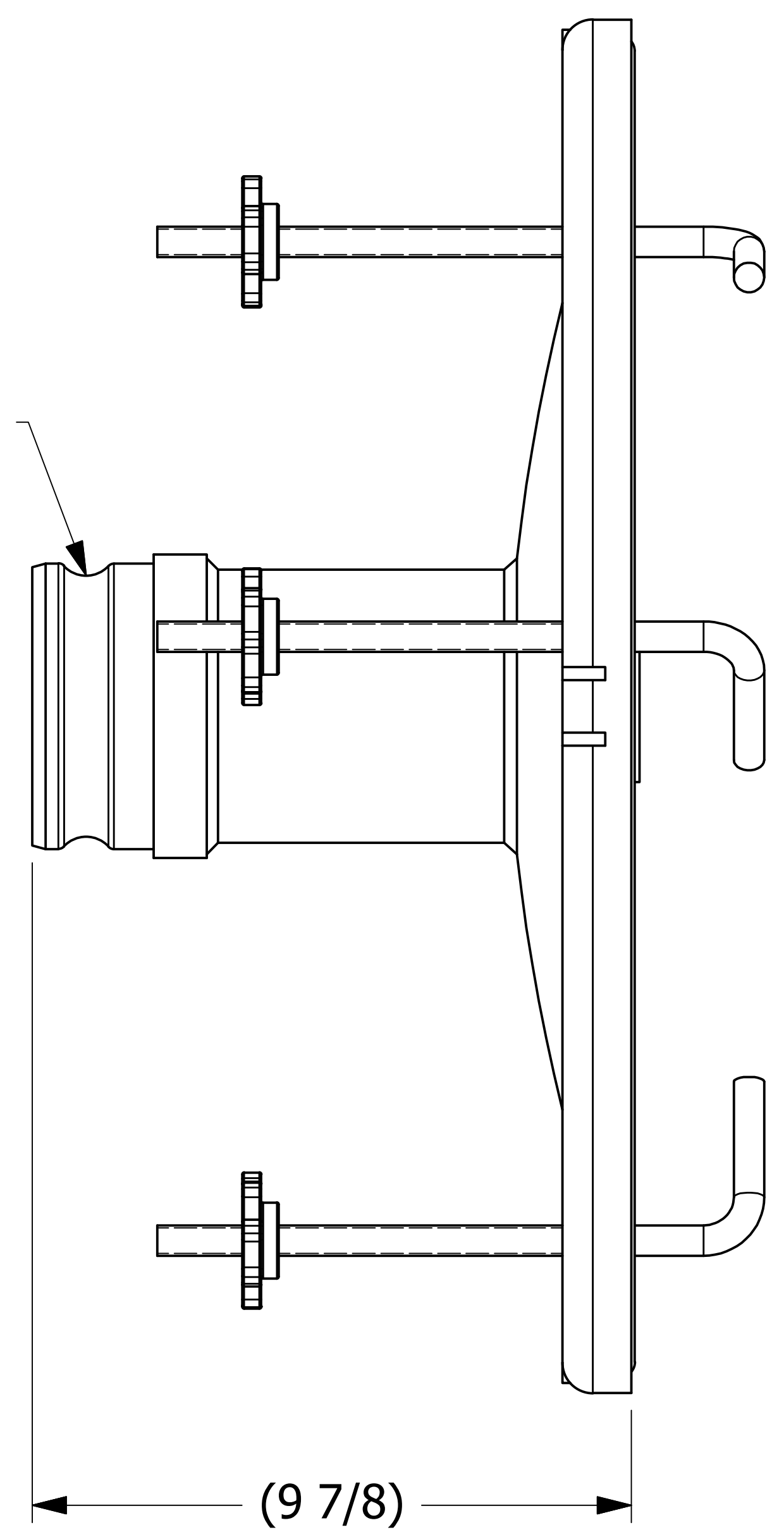


SALES DRAWING SALES DRAWING SALES DRAWING SALES DRAWING SALES DRAWING

SALES DRAWING SALES DRAWING SALES DRAWING SALES DRAWING SALES DRAWING



4" CAM GROOVE



- NOTES:**
1. COVER MATERIAL IS ALUMINUM.
  2. GASKET MATERIAL IS WHITE FDA PVC.
  3. HOLD DOWNS AND COMPRESSION NUTS ARE CS/SS.

UNLESS OTHERWISE SPECIFIED  
DIMENSIONAL TOLERANCES  
FRACTIONAL: ±1/16  
X.XX: ±.03  
X.XXX: ±.015  
ANGULAR: ±1°  
DEBURR ALL SHARP EDGES.  
ALL MACHINED SURFACES TO  
HAVE A 125 RMS FINISH.  
UNLESS NOTED OTHERWISE.  
THIRD ANGLE PROJECTION

DRAWN BY:	ACC
CHECKED BY:	CHL
PROTOTYPE DATE:	9/13/2001
APPROVED FOR PRODUCTION BY:	
PRODUCTION DATE:	
SIZE:	D
DRAWING #:	16159

D	WEB	10/15/21	202110151338	WEB
REV	BY	DATE	REF #	PUB
<b>SALCO PRODUCTS, INC.</b>				
PART NAME: <b>LOADING COVER 20"</b>				
MATERIAL: <b>SEE NOTE</b>				
PROJECT #: <b>010907</b>			SHEET #: <b>1 OF 1</b>	SCALE: <b>1:2</b>
PART #: <b>LC20A1A</b>				